

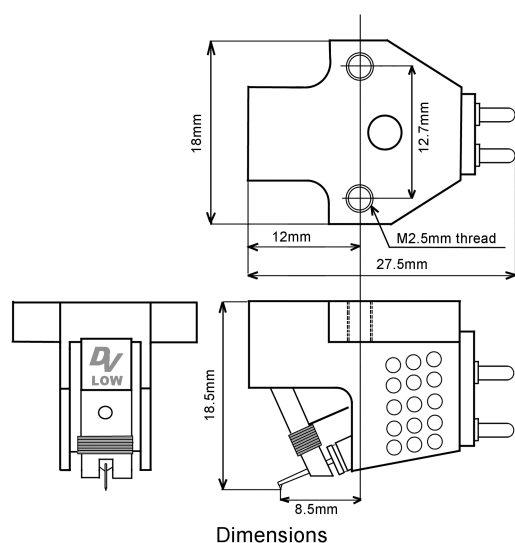
# DV XX-2 debut

Dynavector have remained the worlds leading moving coil manufacturer since 1978.

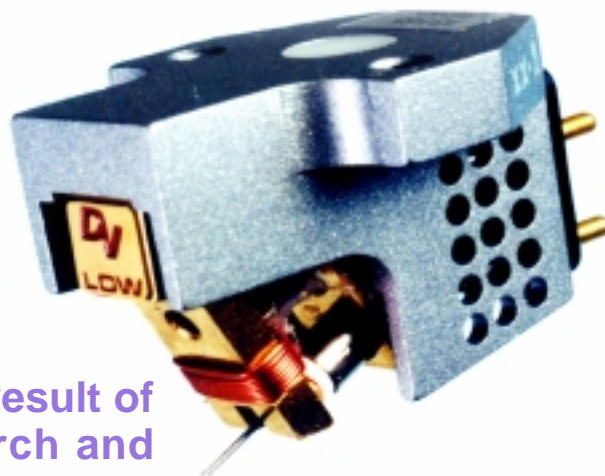
The DV XX-2 is the outstanding result of Dynavectors' continuing research and advanced technology.

The DV XX-1 was the first cartridge to feature a "magnetic flux damper" (patent) and softened magnetism" (patent) processes that reject the magnetic fluctuation that is detrimental to a moving coil cartridges performance.

The DV XX-2 retains the benefit of the flux damper but features the alinco-5 magnet. Alnico magnets exhibit high magnetic flux density combining with a low coercive therefore magnetic resistance is lower than other magnetic types such as rare earth and ferrite, providing the exceptional stability of the XX-2 output voltage. There is also the additional advantage of low magnetic and electrical resistance contributing to a discernable improvement in sound quality.



Low output Moving Coil cartridge  
with Flux damper and Alnico magnet



The XX-2 also exhibits deep powerful bass, treble is both clear and lively possessing none of the hardness found in many moving coil designs. This can be accredited to not only Dynavector's skilled assembly techniques but also a meticulous attention to design, materials, and engineering expertise.

The XX-2 also features a 6 mm solid boron cantilever fitted with a Pathfinder Line contact stylus. PCOCC (pure copper ohno continuous casting process) copper wire is used for the coil. The output voltage of 0.23mV and 6 ohms impedance are suited to most moving coil phono stages.

Although the XX-2 is of solid aluminium for rigid construction its total weight of 8.0grams renders it suitable for a variety of popular tone arms.

## ■ Specifications

Type :	Low output moving coil cartridge with Flux damper
Output voltage :	0.23mV (at 1KHz, 5cm/sec.)
Frequency response :	20 - 20,000Hz (+1,-1dB)
Channel separation :	30 dB (at 1KHz)
Channel balance :	1.0 dB (at 1KHz)
Compliance :	10 x 10 <sup>-6</sup> cm/dyne
Impedance :	R= 6 ohms, L= 18 micro H
Stylus :	Line contact PF
Cantilever :	6mm length solid boron
Tracking force :	1.8 - 2.2 grams
Recommended load : impedance	30 ohms
Weight :	8.0 grams

**Dynavector Systems, Ltd.**

16-15 Iwamoto-cho 2-chome Chiyoda-ku Tokyo 101-0032 Japan  
Phone 813-3- 3861-4341 Fax 813-3-3862-1650  
<http://www.dynavector.co.jp/>