

P-75 power supply requirements

AC to DC power adaptor 12V 500mA DC
Two pin adaptor centre negative outer positive
Outer Diameter 5.5mm
Inner Diameter 2.1mm

Note: Power supply is not included.
Please purchase a suitable supply at your local dealer.

Specifications

The P-75 is a stand-alone phono to line level amplifier. It can operate with the following cartridge types:

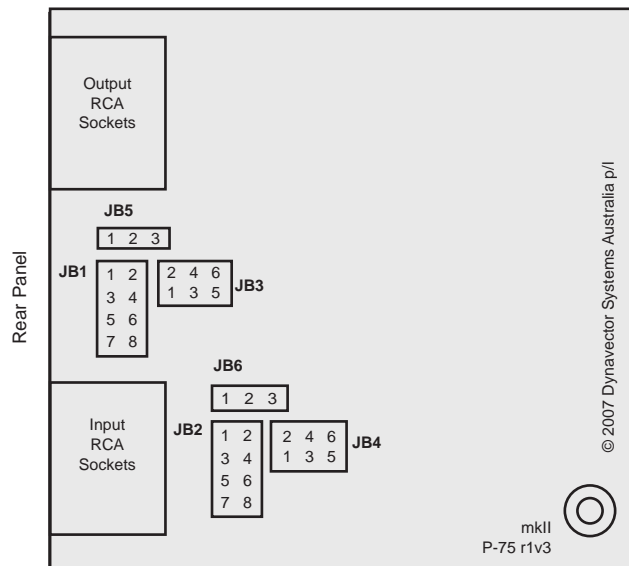
Cartridge Type	Input Sensitivity	Gain	Loading (ohms)
Low Output Moving Coil Standard phono stage	0.2mV (200µV) or 0.15mV (150µV)	60 & 63dB	25, 30, 100, 470
Low Output MC Phono Enhancer*			Zero
High Output Moving Coil Moving Magnet Moving Iron	2.0mV	40dB	47k (47,000)

*Input sensitivity and gain is determined mainly by the cartridge internal resistance. Three resistance/gain adjustments available.

Always turn off power to the audio system (including power to the P-75) when altering jumpers or settings inside the P-75.

NOTE: Under no circumstances should a signal generator be used with the phono enhancer circuit, as any excessive current from the generator may damage the P-75.

P-75 mkII Jumper Location and Settings



Key open = remove jumper short = fit jumper

For more information visit www.dynavector.com

All the above adjustments are easily made by the user. No soldering or extra components are required.

Standard Settings

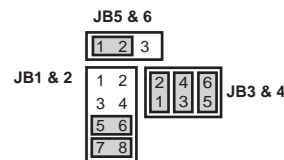
When delivered from the factory, the P-75 is set to the following standard settings: Low output moving coil 100 ohm 60 dB gain.

High output MC or Moving Magnet

JB 1 & 2
1-2 open
3-4 open
5-6 short
7-8 short

JB 3 & 4
1-2 short
3-4 short
5-6 short

JB 5 & 6
1-2 short
2-3 open

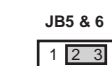


Low output MC standard phono mode

JB 1 & 2
1-2 open
3-4 short

Loading 470 ohm 100 ohm 30 ohm 25 ohm
5-6 open short open short
7-8 open open short short

JB 5 & 6
1-2 open
2-3 short



either **JB 3 & 4** Normal Gain = 60dB
1-2 short
3-4 open
5-6 short



or **JB 3 & 4** High Gain = 63dB
1-2 open
3-4 open
5-6 short



Low output MC phono enhancer mode

(current amplifier)

JB 1 & 2
1-2 short
3-4 open
5-6 short
7-8 short

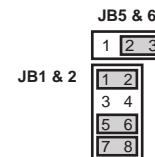
JB 5 & 6
1-2 open
2-3 short

JB 3 & 4 Set output level depending upon coil resistance*

Low resistance coil
1-2 short approx 4 - 10 ohms*
3-4 open
5-6 short

Medium resistance coil
1-2 open approx 10 - 20 ohms*
3-4 short
5-6 open

High resistance coil
1-2 short approx 20 - 50 ohms*
3-4 open
5-6 open



* The coil resistance is obtained from the cartridge manufacturer's specifications. This resistance is the DC resistance of the coil, sometimes referred to as the impedance. *It is not the cartridge loading resistance.*

An example may help:
Dynavector's DV XX2 mkII specification sheet gives the following:

Impedance R = 6 ohms
Recommended load resistance >30 ohms. Ignore this in PE Mode.

The DC coil resistance for the DV-XX2mkII is 6 ohms therefore in PE mode, set JB 3 & 4 for a low resistance coil.
See www.dynavector.com for complete Dynavector cartridge specifications.

The P-75 has a unique power supply that runs at over 1/4MHz. It takes the low grade single voltage DC supply from the ac adapter and converts it to the dual high voltages required for true professional quality audio reproduction. The operating frequency is over 12 times higher than the top of the audio band and it incorporates super low noise wideband regulators in its output stage to give ultra low noise supply rails.

The internal P-75 power supply is totally self contained and stores many times the maximum possible energy requirements of the phono amplifiers. This means that the quality or size of the external ac adaptor is irrelevant. Increasing the capacity of the external supply will make no difference to the quality of the sound.

The P-75 incorporates the unique current amplifier invented by Dr Tominari of Dynavector Systems Ltd., Japan, called a Phono Enhancer.

Note: The P-75 supply requires a higher peak current to start up and so we do not recommend using an adaptor of less than 500mA.

The P-75 does not have any mains frequency or other low frequency components in the power supply and so hum problems that plague conventional phono amplifiers are eliminated.

An earth terminal is provided on the rear panel that will allow the metal chassis to be connected to earth if required.

While the P-75 itself does not generate any hum, the tone arm and interconnect cables may act as antennae and pick-up some hum. This is normally removed by running an earth wire to the preamplifier ground directly from the turntable's normal ground.

In most applications, the P-75 will not need to be earthed.

IMPORTANT SAFETY INSTRUCTIONS

Read Instructions

Please read all safety and operating instructions before using this product.

Retain Instructions

The safety and operating instructions should be retained for future reference.

Heed warnings

All warnings on the product and in the operating instructions should be adhered to.

Follow instructions

All operating and use instructions should be followed.

Cleaning

Unplug the product from the wall outlet before cleaning. Do not use liquid or aerosol cleaners. Use a damp cloth for cleaning.

Power source

This product should be operated only from the type of power source indicated on the marking label. If you are not sure of the type of power supply, consult your dealer.

Servicing

Refer all servicing to qualified service personnel.

Warranty

Dynavector manufactures its products to very high standards and we are confident our products will perform well. Accordingly, we warrant the Dynavector P-75 against manufacturing defects in material and workmanship to the original owner, for a period of one year from the original date of purchase. This warranty does not extend to damage caused by improper use/installation, faulty ancillary equipment, modifications, unauthorised repair, shipping damage or loss, abuse, accidents, use on improper voltage/current, lightning or other acts of God, normal wear and tear, commercial use, or purchases from unauthorised dealers. Proof of purchase as evidence the unit was purchased from an authorised dealer within the warranty period may be required for warranty service. Do not return the product without first contacting your dealer or Dynavector. This warranty is non-transferable.



This product can be recycled. Products bearing this symbol must NOT be thrown away with the normal household waste. At the end of the product's life, take it to a collection point designated for recycling of electrical and electronic devices. Find out more about return and collection points through your local authority.

The European Waste Electrical and Electronic (WEEE) Directive was implemented to dramatically reduce the amount of waste going to land fills, thereby reducing the environmental impact on the planet and on human health. Please act responsibly by recycling used products. If this product is still useable, consider giving it away or reselling it.

www.dynavector.com

Designed and manufactured by
Dynavector Australia and New Zealand / Aotearoa

07/14

Dynavector P-75

mkII

phono preamplifier and
phono enhancer

instructions and specifications