

Dynavector MC Cartridge ASKA - H/L

Thank you for purchasing the Dynavector MC Cartridge ASKA. Before use, please read this manual to enjoy our cartridge to its maximum potential.

■ Overview

Built upon Dynavector's nearly half a century of Moving Coil expertise, ASKA offers a confident and accessible entry into true MC cartridge performance, available in both High and Low Output versions.

Inheriting the design philosophy of our upper-tier models, ASKA delivers the open, natural Dynavector sound in a form that integrates easily into modern analog systems.

■ Output Voltage

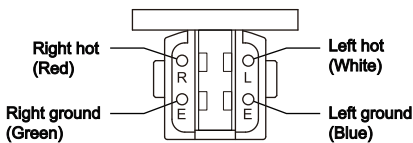
The high output model ASKA-H has a 2.8mV output therefore connecting it to the MM PHONO input will be sufficient (An MC step-up transformer or a head amplifier is not required). Recommended resistance is 1,000Ω or more. It can be used with 47kΩ for MM.

The low output model ASKA-L will require an MC step-up transformer or a head amplifier or it can be connected to an MC input. Recommended resistance is 30Ω or more.

■ Connection

Connect the lead wires from the headshell to each pin as shown below. The terminal pin diameter is 1.2mm. Please note that 1.0mm connectors will not fit.

Forcefully inserted connectors with the wrong diameter may damage the terminal pin or the lead wire. Please also avoid soldering when wiring. This may cause internal wire damage.



■ Mounting to the Headshell

Mount the cartridge by using the included M2.5 screws. Please ensure the mounting is secure and not loose. If loose, this may cause playback disruption and may damage the cartridge or record.

Mounting position should be aligned according to the tonearm overhang. For details, please refer to the tonearm's manual.

■ Tracking Force

The appropriate tracking force range is 1.8g - 2.2g in a room temperature of 20°C. If the room temperature is high, a slightly lighter tracking force is recommended. If the room temperature is low, a slightly heavier tracking force is recommended.

■ Stylus Cleaning

Please keep your records clean. Dust can cause record wear and sonic distortion. We strongly advise that you maintain and handle the stylus with caution as it is one of the most delicate parts of the cartridge that can affect its performance. Frequently clean the stylus with the brush supplied. Brush only from back to front of the stylus to avoid any damage to the stylus assembly.

We recommend the use of a good quality commercial stylus cleaner. Strong alcohol and chemical fluids are not recommended for use with Dynavector cartridges. Make sure that the stylus is completely dry before use.

Important: Always use cleaning liquids sparingly, taking particular care that the liquid does not contact any other part of the cartridge other than the stylus tip. Take extra caution not to get the fluid on the damper rubber. The rubber may deteriorate and affect the cartridge's performance.

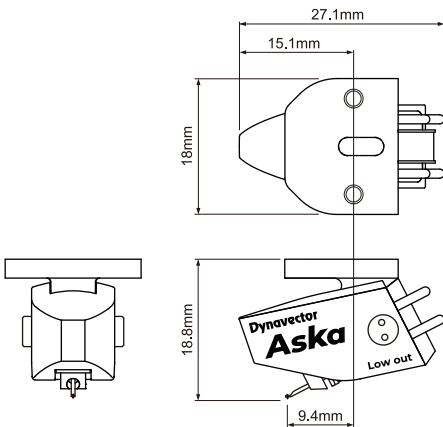
■ Stylus Replacement and Warranty

The cartridge is covered by a one-year warranty from the date of purchase against electrical and mechanical defects, provided that the instructions have been followed and the warranty form has been completed.

The warranty does not cover stylus wear or damage to the stylus assembly caused by mishandling or abuse. In the event of a defect, please carefully pack the cartridge in its case, together with the warranty card and / or receipt, and return it to your retailer.

■ Specifications

Type	: High/Low output MC cartridge with Flux damper and Softened magnetism
Output voltage (at 1KHz, 5cm/sec.)	: ASKA-H 2.8 mV ASKA-L 0.3 mV
Frequency response	: 20 - 20,000Hz (±2dB)
Channel separation	: 25 dB (at 1KHz)
Channel balance	: 1.0 dB (at 1KHz)
Compliance	: 12 mm/N
Impedance	: ASKA-H R = 150 ohms ASKA-L R = 5 ohms
Stylus	: Elliptical
Cantilever	: 6mm length hardened aluminium pipe
Tracking force	: 1.8 - 2.2 g
Recommended load impedance	: ASKA-H > 1000 ohms ASKA-L > 30 ohms
Weight	: 5.8g



Dynavector Systems, Ltd.

3-2-7 Higashi-Kanda Chiyoda-ku
Tokyo 101-0031 Japan

Phone +81-(0)3-3861-4341 FAX +81-(0)3-3862-1650
<https://www.dynavector.com/>

